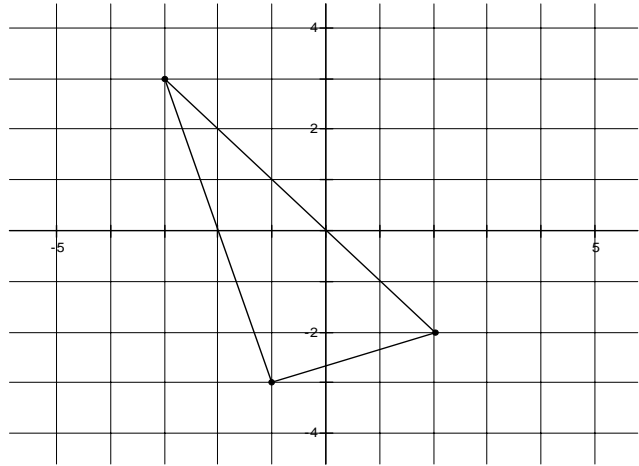


Name _____ Block _____

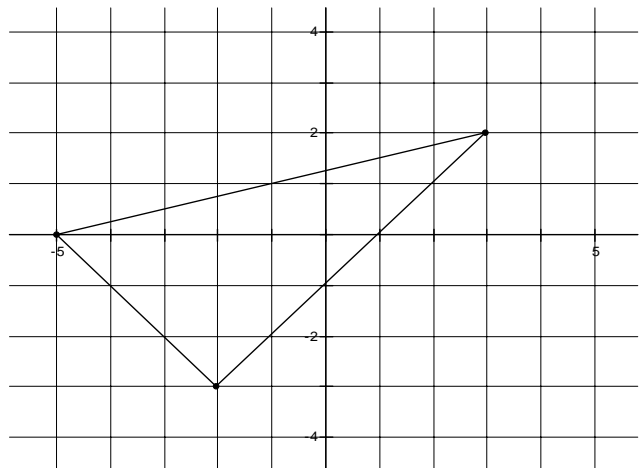
Use the distance formula to determine whether the triangle is a right triangle.

$$d^2 = (x_2 - x_1)^2 + (y_2 - y_1)^2$$

1)



2)



3)

