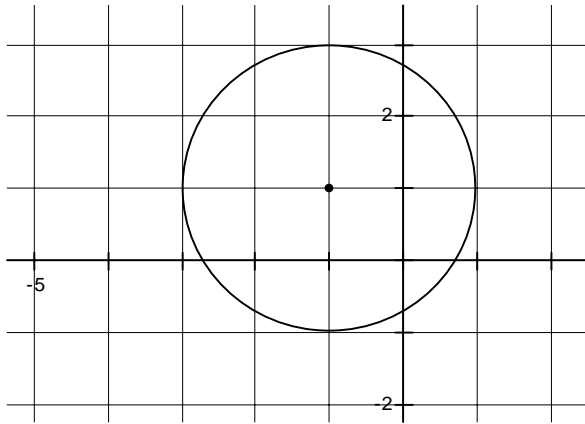
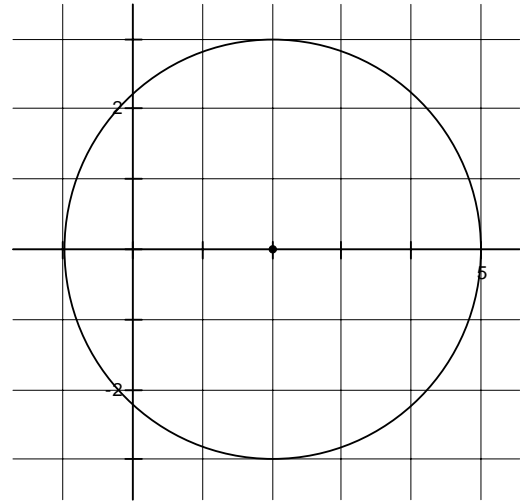


Name \_\_\_\_\_ Block \_\_\_\_\_

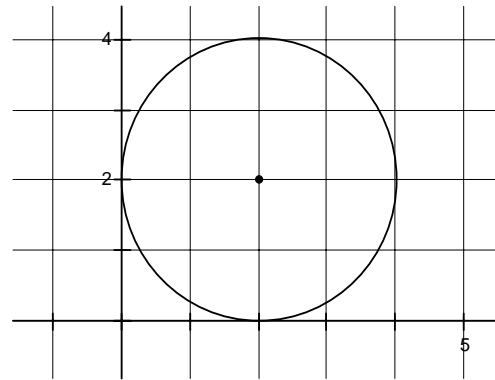
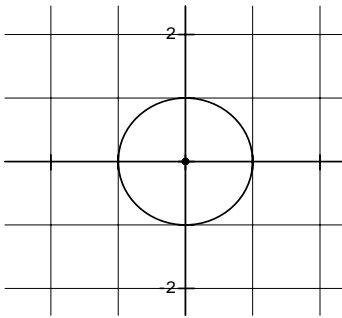
Write the equation of the circle.



1)

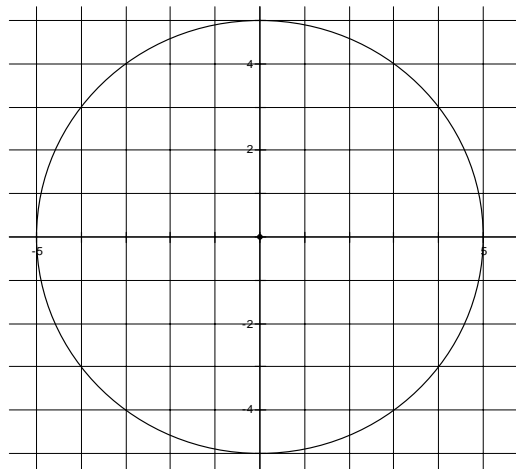
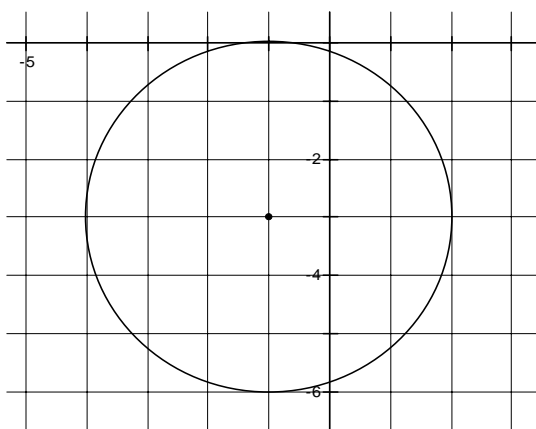


2)



3)

4)



5)

6)